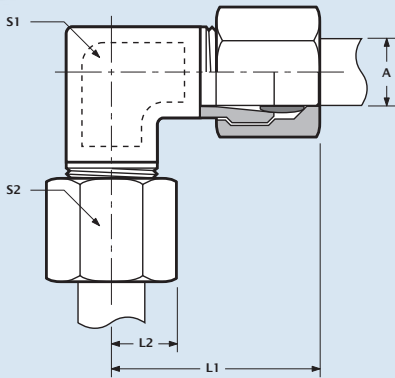
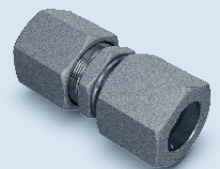
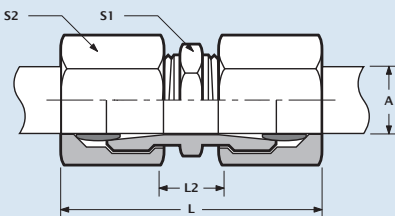


Snijringkoppelingen Bite ringcouplings Accessoires à bague coupante Schneidringverschraubungen



Haakse koppeling / Elbow coupling / Raccord coude / Winkel verschraubung

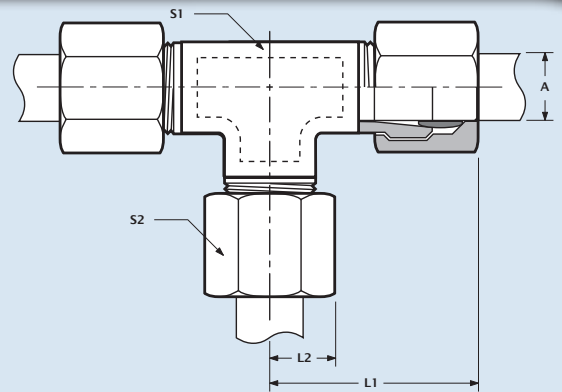
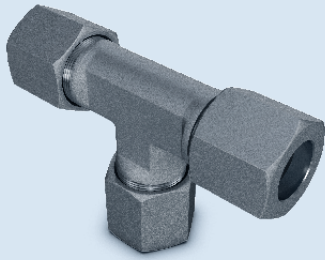
A mm	Light					Strong				
	PN Bar	L1 mm	L2 mm	S1 mm	S2 mm	PN Bar	L1 mm	L2 mm	S1 mm	S2 mm
6	250	27.0	12.0	12.0	14.0	630	31.0	16.0	14.0	17.0
8	250	29.0	14.0	14.0	17.0	630	32.0	17.0	17.0	19.0
10	250	30.0	15.0	17.0	19.0	630	34.0	17.5	19.0	22.0
12	250	32.0	17.0	19.0	22.0	630	38.0	21.5	22.0	24.0
14	-	-	-	-	-	630	40.0	22.0	19.0	27.0
15	250	36.0	21.0	19.0	27.0	-	-	-	-	-
16	-	-	-	-	-	400	43.0	24.5	24.0	30.0
18	160	40.0	23.5	24.0	32.0	-	-	-	-	-
20	-	-	-	-	-	400	48.0	26.5	27.0	36.0
22	160	44.0	27.5	27.0	36.0	-	-	-	-	-
25	-	-	-	-	-	400	54.0	30.0	36.0	46.0
28	100	47.0	30.5	36.0	41.0	-	-	-	-	-
30	-	-	-	-	-	250	62.0	35.5	41.0	50.0
35	100	56.0	34.5	41.0	50.0	-	-	-	-	-
38	-	-	-	-	-	250	72.0	41.0	50.0	60.0
42	100	63.0	40.0	50.0	60.0	-	-	-	-	-



Rechte koppeling / Straight coupling / Raccord droit / Gerade verschraubung

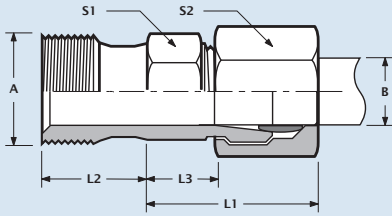
A mm	Light					Strong				
	PN Bar	L1 mm	L2 mm	S1 mm	S2 mm	PN Bar	L1 mm	L2 mm	S1 mm	S2 mm
6	250	39.0	10.0	12.0	14.0	630	45.0	16.0	14.0	17.0
8	250	40.0	11.0	14.0	17.0	630	47.0	18.0	17.0	19.0
10	250	42.0	13.0	17.0	19.0	630	49.0	17.0	19.0	22.0
12	250	43.0	14.0	19.0	22.0	630	51.0	19.0	22.0	24.0
14	-	-	-	-	-	630	57.0	22.0	24.0	27.0
15	250	46.0	16.0	24.0	27.0	-	-	-	-	-
16	-	-	-	-	-	400	57.0	21.0	27.0	30.0
18	160	48.0	16.0	27.0	32.0	-	-	-	-	-
20	-	-	-	-	-	400	66.0	23.0	32.0	36.0
22	160	52.0	20.0	32.0	36.0	-	-	-	-	-
25	-	-	-	-	-	400	74.0	26.0	41.0	46.0
28	100	54.0	21.0	41.0	41.0	-	-	-	-	-
30	-	-	-	-	-	250	80.0	27.0	46.0	50.0
35	100	63.0	20.0	46.0	50.0	-	-	-	-	-
38	-	-	-	-	-	250	90.0	29.0	55.0	60.0
42	100	66.0	21.0	55.0	60.0	-	-	-	-	-

Snijringkoppelingen
 Bite ringcouplings
 Accessoires à bague coupante
 Schneidringverschraubungen



T-koppeling / Tee coupling / Raccord en Té / T-verschraubung										
A	Light					Strong				
	PN Bar	L1	L2	S1	S2	PN Bar	L1	L2	S1	S2
mm		mm	mm	mm	mm		mm	mm	mm	mm
6	250	27.0	12.0	12.0	14.0	630	31.0	16.0	14.0	17.0
8	250	29.0	14.0	14.0	17.0	630	32.0	17.0	14.0	19.0
10	250	30.0	15.0	14.0	19.0	630	34.0	17.5	17.0	22.0
12	250	32.0	17.0	17.0	22.0	630	38.0	21.5	17.0	24.0
14	-	-	-	-	-	630	40.0	22.0	19.0	27.0
15	250	36.0	21.0	19.0	27.0	-	-	-	-	-
16	-	-	-	-	-	400	43.0	24.5	24.0	30.0
18	160	40.0	23.5	24.0	32.0	-	-	-	-	-
20	-	-	-	-	-	400	48.0	26.5	27.0	36.0
22	160	44.0	27.5	27.0	36.0	-	-	-	-	-
25	-	-	-	-	-	400	54.0	30.0	36.0	46.0
28	100	47.0	30.5	36.0	41.0	-	-	-	-	-
30	-	-	-	-	-	250	62.0	35.5	41.0	50.0
35	100	56.0	34.5	41.0	50.0	-	-	-	-	-
38	-	-	-	-	-	250	72.0	41.0	50.0	60.0
42	100	63.0	40.0	50.0	60.0	-	-	-	-	-

Snijringkoppelingen Bite ringcouplings Accessoires à bague coupante Schneidringverschraubungen

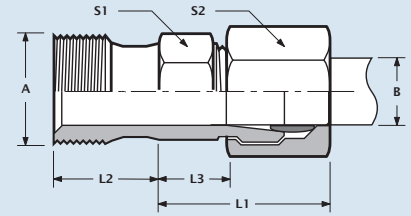


Rechte inschroefkoppeling / Straight male stud coupling / Raccord mâle droit / Gerade einschraubverschraubung

B mm	Nominal pipe size A BSPT	PN Bar	Light					Strong					
			L1 mm	L2 mm	L3 mm	S1 mm	S2 mm	PN Bar	L1 mm	L2 mm	L3 mm	S1 mm	S2 mm
6	1/8"	250	23.0	8.0	8.5	14.0	14.0	630	27.0	8.0	12.5	14.0	17.0
6	1/4"	250	25.0	12.0	10.0	19.0	14.0	630	28.0	12.0	13.0	19.0	17.0
6	3/8"	250	26.0	12.0	11.5	22.0	14.0	630	30.0	12.0	15.5	22.0	17.0
6	1/2"	250	27.0	14.0	12.0	27.0	14.0	630	33.0	14.0	18.0	27.0	17.0
8	1/8"	250	23.0	8.0	8.5	14.0	17.0	630	28.0	8.0	13.0	17.0	19.0
8	1/4"	250	25.0	12.0	10.0	19.0	17.0	630	30.0	12.0	15.0	19.0	19.0
8	3/8"	250	26.0	12.0	11.5	22.0	17.0	630	31.0	12.0	15.5	22.0	19.0
8	1/2"	250	27.0	14.0	12.0	27.0	17.0	630	33.0	14.0	18.0	27.0	19.0
10	1/8"	250	25.0	8.0	10.5	17.0	19.0	630	29.5	8.0	14.5	22.0	22.0
10	1/4"	250	26.0	12.0	11.0	19.0	19.0	630	31.0	12.0	14.5	19.0	22.0
10	3/8"	250	27.0	12.0	12.5	22.0	19.0	630	31.0	12.0	15.0	22.0	22.0
10	1/2"	250	28.0	14.0	13.0	27.0	19.0	630	34.0	14.0	17.5	27.0	22.0
10	3/4"	250	30.0	16.0	15.0	32.0	19.0	630	36.0	16.0	18.5	32.0	22.0
12	1/8"	250	26.0	8.0	11.5	19.0	22.0	630	31.0	8.0	13.5	22.0	24.0
12	1/4"	250	27.0	12.0	12.0	19.0	22.0	630	33.0	12.0	16.5	22.0	24.0
12	3/8"	250	27.0	12.0	12.5	22.0	22.0	630	33.0	12.0	17.0	22.0	24.0
12	1/2"	250	28.0	14.0	13.0	27.0	22.0	630	34.0	14.0	17.5	27.0	24.0
12	3/4"	250	29.0	16.0	14.0	32.0	22.0	630	36.0	16.0	21.0	32.0	24.0
14	3/8"	-	-	-	-	-	-	630	36.0	12.0	18.5	24.0	27.0
14	1/2"	-	-	-	-	-	-	630	37.0	14.0	19.0	27.0	27.0
14	3/4"	-	-	-	-	-	-	630	38.0	16.0	19.0	32.0	27.0
15	1/4"	250	28.0	12.0	14.0	24.0	27.0	-	-	-	-	-	-
15	3/8"	250	29.0	12.0	13.5	24.0	27.0	-	-	-	-	-	-
15	1/2"	250	29.0	14.0	14.0	27.0	27.0	-	-	-	-	-	-
15	3/4"	250	30.0	16.0	15.0	32.0	27.0	-	-	-	-	-	-
15	1"	250	31.0	17.5	16.5	41.0	27.0	-	-	-	-	-	-
16	1/4"	-	-	-	-	-	-	400	36.0	12.0	18.0	27.0	30.0
16	3/8"	-	-	-	-	-	-	400	36.0	12.0	18.0	27.0	30.0
16	1/2"	-	-	-	-	-	-	400	37.0	14.0	18.5	27.0	30.0
16	3/4"	-	-	-	-	-	-	400	39.0	16.0	20.5	32.0	30.0
16	1"	-	-	-	-	-	-	400	41.0	18.0	21.5	41.0	30.0
18	3/8"	160	29.5	12.0	14.0	27.0	32.0	-	-	-	-	-	-
18	1/2"	160	31.0	14.0	14.5	27.0	32.0	-	-	-	-	-	-
18	3/4"	160	31.0	16.0	14.5	32.0	32.0	-	-	-	-	-	-
18	1"	160	33.0	18.0	18.0	41.0	32.0	-	-	-	-	-	-
20	3/8"	-	-	-	-	-	-	400	42.0	12.0	19.0	32.0	36.0
20	1/2"	-	-	-	-	-	-	400	42.0	14.0	20.5	32.0	36.0
20	3/4"	-	-	-	-	-	-	400	42.0	16.0	20.5	32.0	36.0
20	1"	-	-	-	-	-	-	400	44.0	18.0	22.5	41.0	36.0
20	1 1/4"	-	-	-	-	-	-	400	44.0	20.0	22.5	50.0	36.0
22	3/8"	160	32.0	12.0	16.5	32.0	36.0	-	-	-	-	-	-
22	1/2"	160	33.0	14.0	16.5	32.0	36.0	-	-	-	-	-	-
22	3/4"	160	33.0	16.0	16.5	32.0	36.0	-	-	-	-	-	-
22	1"	160	33.5	18.0	17.5	41.0	36.0	-	-	-	-	-	-
22	1 1/4"	160	35.0	20.0	19.0	50.0	36.0	-	-	-	-	-	-
25	1/2"	-	-	-	-	-	-	400	45.0	14.0	22.0	36.0	46.0

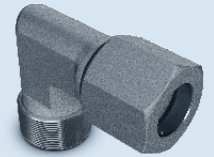
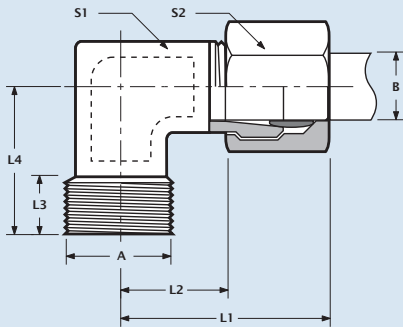
continued on next page

Snijringkoppelingen Bite ringcouplings Accessoires à bague coupante Schneidringverschraubungen



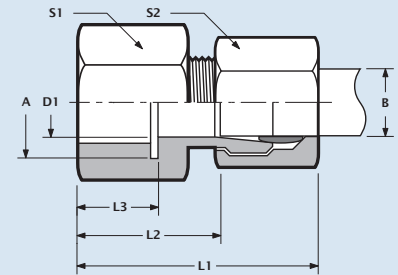
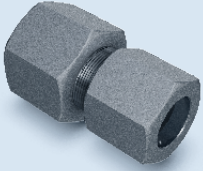
Rechte inschroefkoppeling / Straight male stud coupling / Raccord mâle droit / Gerade einschraubverschraubung														
B mm	Nominal. pipe size A BSPT	PN Bar	Light					Strong						
			L1 mm	L2 mm	L3 mm	S1 mm	S2 mm	PN Bar	L1 mm	L2 mm	L3 mm	S1 mm	S2 mm	
25	3/4"	-	-	-	-	-	-	400	47.0	16.0	23.0	41.0	46.0	
25	1"	-	-	-	-	-	-	400	47.0	18.0	23.0	41.0	46.0	
25	1 1/4"	-	-	-	-	-	-	400	47.0	20.0	23.0	50.0	46.0	
28	1/2"	100	34.0	14.0	17.5	41.0	41.0	-	-	-	-	-	-	
28	3/4"	100	34.0	16.0	17.5	41.0	41.0	-	-	-	-	-	-	
28	1"	100	34.0	18.0	17.5	41.0	41.0	-	-	-	-	-	-	
28	1 1/4"	-	35.0	20.0	18.3	50.0	41.0	-	-	-	-	-	-	
30	3/4"	-	-	-	-	-	-	250	50.0	16.0	24.0	46.0	50.0	
30	1"	-	-	-	-	-	-	250	50.0	18.0	23.5	46.0	50.0	
30	1 1/4"	-	-	-	-	-	-	250	50.0	20.0	23.5	50.0	50.0	
30	1 1/2"	-	-	-	-	-	-	250	53.0	22.0	23.5	55.0	50.0	
35	3/4"	100	39.0	16.0	17.5	46.0	50.0	-	-	-	-	-	-	
35	1"	100	39.0	18.0	17.5	46.0	50.0	-	-	-	-	-	-	
35	1 1/4"	100	39.0	20.0	17.5	50.0	50.0	-	-	-	-	-	-	
35	1 1/2"	-	41.0	22.0	19.5	55.0	50.0	-	-	-	-	-	-	
38	1"	-	-	-	-	-	-	250	54.0	18.0	23.0	55.0	60.0	
38	1 1/4"	-	-	-	-	-	-	250	57.0	20.0	26.0	55.0	60.0	
38	1 1/2"	-	-	-	-	-	-	250	57.0	22.0	26.0	55.0	60.0	
42	1"	100	42.0	18.0	19.0	55.0	60.0	-	-	-	-	-	-	
42	1 1/4"	100	42.0	20.0	19.0	55.0	60.0	-	-	-	-	-	-	
42	1 1/2"	100	42.0	22.0	19.0	55.0	60.0	-	-	-	-	-	-	

Snijringkoppelingen Bite ringcouplings Accessoires à bague coupante Schneidringverschraubungen



Haakse inschroefkoppeling / Elbow male stud coupling / Raccord mâle coude / Winkel einschraubverschraubung															
B	Nominal pipe size	PN Bar	Light						Strong						
			L1	L2	L3	L4	S1	S2	PN Bar	L1	L2	L3	L4	S1	S2
mm	A BSPT		mm	mm	mm	mm	mm	mm	mm	mm	mm	mm	mm	mm	mm
6	1/8"	250	27.0	12.0	8.0	20.0	12.0	14.0	630	-	-	-	-	-	-
6	1/4"	250	29.0	14.0	12.0	26.0	12.0	14.0	630	31.0	16.0	12.0	26.0	14.0	17.0
6	3/8"	250	30.0	17.0	12.0	31.5	17.0	14.0	630	33.0	18.0	12.0	20.0	14.0	17.0
6	1/2"	250	35.0	21.5	14.0	34.5	19.0	14.0	630	34.0	20.0	14.0	32.0	20.0	17.0
8	1/8"	250	29.0	14.0	8.0	26.0	14.0	17.0	630	32.0	17.5	8.0	27.5	14.0	19.0
8	1/4"	250	29.0	14.0	12.0	26.0	14.0	17.0	630	32.0	17.0	12.0	27.0	17.0	19.0
8	3/8"	250	32.0	27.0	12.0	28.0	19.0	17.0	630	33.0	18.0	12.0	28.0	17.0	19.0
8	1/2"	250	34.0	20.0	14.0	32.0	17.0	17.0	630	35.0	20.5	14.0	34.0	19.0	19.0
10	1/8"	250	30.0	15.5	8.0	22.0	14.0	19.0	630	-	-	-	-	-	-
10	1/4"	250	30.0	15.0	12.0	27.0	17.0	19.0	630	34.0	17.5	12.0	28.0	22.0	22.0
10	3/8"	250	32.0	17.0	12.0	28.0	19.0	19.0	630	34.0	17.5	12.0	28.0	19.0	22.0
10	1/2"	250	38.0	22.0	14.0	32.0	17.0	19.0	630	39.0	22.5	14.0	32.0	22.0	22.0
12	1/8"	250	32.0	16.0	8.0	28.0	17.0	22.0	630	-	-	-	-	-	-
12	1/4"	250	32.0	17.0	12.0	27.0	19.0	22.0	630	37.0	21.5	12.0	28.5	17.0	24.0
12	3/8"	250	32.0	17.0	12.0	28.0	19.0	22.0	630	38.0	21.5	12.0	28.0	19.0	24.0
12	1/2"	250	36.0	21.0	14.0	34.0	19.0	22.0	630	39.0	22.5	14.0	32.0	19.0	24.0
14	3/8"	-	-	-	-	-	-	-	630	40.0	22.0	12.0	30.0	19.0	27.0
14	1/2"	-	-	-	-	-	-	-	630	40.0	22.0	14.0	32.0	19.0	27.0
15	1/4"	250	34.5	21.5	12.0	28.5	19.0	27.0	-	-	-	-	-	-	-
15	3/8"	250	35.0	20.5	12.0	28.5	19.0	27.0	-	-	-	-	-	-	-
15	1/2"	250	36.0	21.0	14.0	34.0	19.0	27.0	-	-	-	-	-	-	-
16	3/8"	-	-	-	-	-	-	-	400	42.0	24.5	12.0	32.0	24.0	30.0
16	1/2"	-	-	-	-	-	-	-	400	43.0	24.5	14.0	32.0	24.0	30.0
18	3/8"	160	39.0	24.0	12.0	30.0	24.0	32.0	-	-	-	-	-	-	-
18	1/2"	160	40.0	23.5	14.0	36.0	24.0	32.0	-	-	-	-	-	-	-
18	3/4"	160	44.0	29.0	16.0	44.0	27.0	32.0	-	-	-	-	-	-	-
20	1/2"	-	-	-	-	-	-	-	400	47.0	26.5	14.0	36.5	27.0	36.0
20	3/4"	-	-	-	-	-	-	-	400	47.0	26.5	16.0	43.0	27.0	36.0
22	1/2"	160	44.0	27.0	14.0	44.0	27.0	36.0	-	-	-	-	-	-	-
22	3/4"	160	44.0	27.0	16.0	44.0	27.0	36.0	-	-	-	-	-	-	-
22	1"	160	46.0	27.5	16.0	46.0	27.0	36.0	-	-	-	-	-	-	-
25	3/4"	-	-	-	-	-	-	-	400	52.0	27.5	16.0	44.5	35.0	46.0
28	3/4"	100	47.0	30.0	16.0	44.0	36.0	41.0	-	-	-	-	-	-	-
28	1"	100	49.0	32.5	18.0	47.5	36.0	41.0	-	-	-	-	-	-	-

Snijringkoppelingen Bite ringcouplings Accessoires à bague coupante Schneidringverschraubungen



Rechte opschroefkoppeling / Straight female coupling / Raccord droit à visser / Gerade aufschraubverschraubung

B mm	Nominal. pipe size A BSPT	PN Bar	Light						Strong						
			L1 mm	L2 mm	L3 mm	L4 mm	S1 mm	S2 mm	PN Bar	L1 mm	L2 mm	L3 mm	L4 mm	S1 mm	S2 mm
6	1/8"	250	34.0	19.0	12.0	14.0	14.0	4.0	630	-	-	-	-	-	-
6	1/4"	250	39.0	24.0	17.0	19.0	14.0	4.0	630	41.0	26.0	17.0	19.0	17.0	4.0
6	3/8"	250	41.0	27.0	17.0	22.0	14.0	4.0	630	-	-	-	-	-	-
6	1/2"	250	45.0	30.0	22.0	27.0	14.0	4.0	630	-	-	-	-	-	-
8	1/8"	250	35.0	20.0	12.0	17.0	17.0	6.0	630	-	-	-	-	-	-
8	1/4"	250	39.0	24.0	17.0	19.0	17.0	6.0	630	41.0	26.0	17.0	19.0	19.0	5.0
8	3/8"	250	42.0	26.5	17.0	24.0	17.0	6.0	630	-	-	-	-	-	-
8	1/2"	250	44.0	29.0	20.0	27.0	17.0	6.0	630	46.0	32.0	20.0	27.0	19.0	5.0
8	3/4"	250	44.0	29.0	20.0	32.0	17.0	6.0	630	-	-	-	-	-	-
10	1/8"	250	35.0	20.0	12.0	19.0	19.0	8.0	630	-	-	-	-	-	-
10	1/4"	250	40.0	25.0	17.0	19.0	19.0	8.0	630	-	-	-	-	-	-
10	3/8"	250	41.0	25.0	17.0	22.0	19.0	8.0	630	43.0	26.5	17.0	22.0	22.0	7.0
10	1/2"	250	45.0	31.0	20.0	27.0	19.0	8.0	630	46.0	31.0	20.0	27.0	22.0	7.0
12	1/4"	250	41.0	26.0	17.0	19.0	22.0	10.0	630	43.0	26.5	17.0	22.0	24.0	8.0
12	3/8"	250	41.0	26.0	17.0	24.0	22.0	10.0	630	43.0	26.5	17.0	24.0	24.0	8.0
12	1/2"	250	45.0	30.0	20.0	27.0	22.0	10.0	630	47.0	30.5	20.0	30.0	24.0	8.0
12	3/4"	250	51.0	36.0	20.0	36.0	22.0	10.0	630	-	-	-	-	-	-
14	1/4"	-	-	-	-	-	-	-	630	46.0	29.0	17.0	24.0	27.0	10.0
14	3/8"	-	-	-	-	-	-	-	630	46.0	29.0	17.0	24.0	27.0	10.0
14	1/2"	-	-	-	-	-	-	-	630	50.0	32.0	20.0	27.0	27.0	10.0
14	3/4"	-	-	-	-	-	-	-	630	53.0	37.0	20.0	36.0	27.0	10.0
15	1/4"	250	42.0	26.0	17.0	22.0	27.0	12.0	-	-	-	-	-	-	-
15	3/8"	250	42.0	26.0	17.0	24.0	27.0	12.0	-	-	-	-	-	-	-
15	1/2"	250	46.0	31.0	20.0	27.0	27.0	12.0	-	-	-	-	-	-	-
16	1/8"	-	-	-	-	-	-	-	400	40.0	23.0	12.0	27.0	30.0	8.0
16	1/4"	-	-	-	-	-	-	-	400	45.0	27.0	15.0	27.0	30.0	8.0
16	3/8"	-	-	-	-	-	-	-	400	45.0	26.5	17.0	27.0	30.0	8.0
16	1/2"	-	-	-	-	-	-	-	400	50.0	31.5	20.0	30.0	30.0	12.0
18	3/8"	160	43.0	26.5	17.0	27.0	32.0	15.0	-	-	-	-	-	-	-
18	1/2"	160	46.0	31.0	20.0	27.0	32.0	15.0	-	-	-	-	-	-	-
18	3/4"	160	46.0	31.0	20.0	32.0	32.0	15.0	-	-	-	-	-	-	-
18	1"	160	52.0	35.0	24.0	41.0	32.0	15.0	-	-	-	-	-	-	-
20	1/2"	-	-	-	-	-	-	-	400	54.0	32.0	20.0	32.0	36.0	16.0
20	3/4"	-	-	-	-	-	-	-	400	56.0	34.5	20.0	36.0	36.0	16.0
20	1"	-	-	-	-	-	-	-	400	60.0	37.5	24.0	41.0	36.0	16.0
22	1/2"	160	52.0	34.5	22.0	32.0	36.0	18.5	-	-	-	-	-	-	-
22	3/4"	160	52.0	35.5	22.0	32.0	36.0	19.0	-	-	-	-	-	-	-
22	1"	160	56.0	39.0	24.0	41.0	36.0	19.0	-	-	-	-	-	-	-
25	1"	-	-	-	-	-	-	-	400	62.0	37.5	24.0	41.0	46.0	20.0
28	3/4"	100	54.0	35.5	20.0	41.0	41.0	24.0	-	-	-	-	-	-	-
30	1"	-	-	-	-	-	-	-	250	63.0	39.5	24.0	46.0	50.0	25.0
30	1 1/4"	-	-	-	-	-	-	-	250	64.0	40.5	25.0	55.0	50.0	25.0
35	1"	100	60.0	39.5	24.0	46.0	50.0	30.0	-	-	-	-	-	-	-
35	1 1/4"	100	63.0	41.0	25.0	55.0	50.0	30.0	-	-	-	-	-	-	-
38	1 1/2"	-	-	-	-	-	-	-	250	74.0	43.5	26.0	60.0	60.0	32.0
42	1 1/2"	100	65.0	42.5	26.0	60.0	60.0	36.0	-	-	-	-	-	-	-