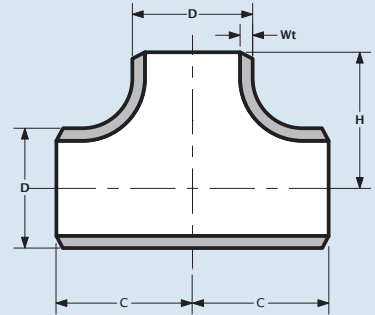
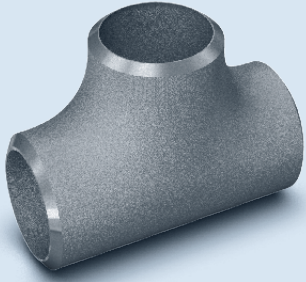




ASTM/ASME A/SA403



Tee														
Nominal Pipe Size	Outside Diameter	Centre to end	Height	sch10s		sch40s/STD		sch80s/XS		sch160		schXXS		
NPS	D	C	H	Wt	kg/pc	Wt	kg/pc	Wt	kg/pc	Wt	kg/pc	Wt	kg/pc	
1/2"	21.34	25	25	2.11	0.10	2.77	0.14	3.73	0.17	4.78	0.22	7.47	0.35	
3/4"	26.67	29	29	2.11	0.15	2.87	0.20	3.91	0.26	5.56	0.36	7.82	0.51	
1"	33.40	38	38	2.77	0.29	3.38	0.33	4.55	0.48	6.35	0.66	9.09	0.95	
1 1/4"	42.16	48	48	2.77	0.45	3.56	0.55	4.85	0.78	6.35	1.02	9.70	1.56	
1 1/2"	48.26	57	57	2.77	0.60	3.68	0.77	5.08	1.16	7.14	1.63	10.15	2.32	
2"	60.33	64	64	2.77	0.80	3.91	1.10	5.54	1.67	8.74	2.63	11.07	3.33	
2 1/2"	73.03	76	76	3.05	1.16	5.16	1.93	7.01	2.89	9.53	3.93	14.02	5.78	
3"	88.90	86	86	3.05	1.60	5.49	2.80	7.62	4.25	11.13	6.21	15.24	8.51	
3 1/2"	101.60	95	95	3.05	2.10	5.74	3.80	8.08	5.78	-	-	16.15	11.56	
4"	114.30	105	105	3.05	2.55	6.02	4.71	8.56	7.31	13.49	11.53	17.12	14.63	
5"	141.30	124	124	3.40	4.00	6.55	7.60	9.53	11.50	15.88	19.16	19.05	22.98	
6"	168.28	143	143	3.40	5.50	7.11	11.00	10.97	18.25	18.24	30.34	21.95	36.51	
8"	219.08	178	178	3.76	9.50	8.18	19.50	12.70	32.76	23.01	59.36	22.23	57.34	
10"	273.05	216	216	4.19	17.50	9.27	35.00	12.70	46.92	28.58	105.60	25.40	93.85	
12"	323.85	254	254	4.57	25.00	9.53	48.00	12.70	65.13	33.32	170.87	25.40	130.25	
14"	355.60	279	279	4.78	32.00	9.53	56.00	12.70	76.76	35.71	215.82	-	-	
16"	406.40	305	305	4.78	40.00	9.53	79.00	12.70	96.14	40.46	306.28	-	-	
18"	457.20	343	343	4.78	50.00	9.53	100.00	12.70	118.88	45.24	423.47	-	-	
20"	508.00	381	381	5.54	73.00	9.53	121.00	12.70	151.18	50.01	595.33	-	-	
22"	558.80	419	419	5.54	88.00	9.53	146.00	12.70	194.56	53.98	826.96	-	-	
24"	609.60	432	432	6.35	100.00	9.53	166.00	12.70	221.22	59.54	1037.12	-	-	
26"	660.40	495	495	-	-	9.53	192.00	12.70	255.87	-	-	-	-	
28"	711.20	521	521	-	-	9.53	222.00	12.70	295.84	-	-	-	-	
30"	762.00	559	559	-	-	9.53	256.00	12.70	341.15	-	-	-	-	
32"	812.80	597	597	-	-	9.53	288.00	12.70	383.80	-	-	-	-	
34"	863.60	635	635	-	-	9.53	325.00	12.70	433.11	-	-	-	-	
36"	914.40	673	673	-	-	9.53	365.00	12.70	486.41	-	-	-	-	
38"	965.20	711	711	-	-	9.53	405.00	12.70	539.72	-	-	-	-	
40"	1016.00	749	749	-	-	9.53	447.00	12.70	595.69	-	-	-	-	